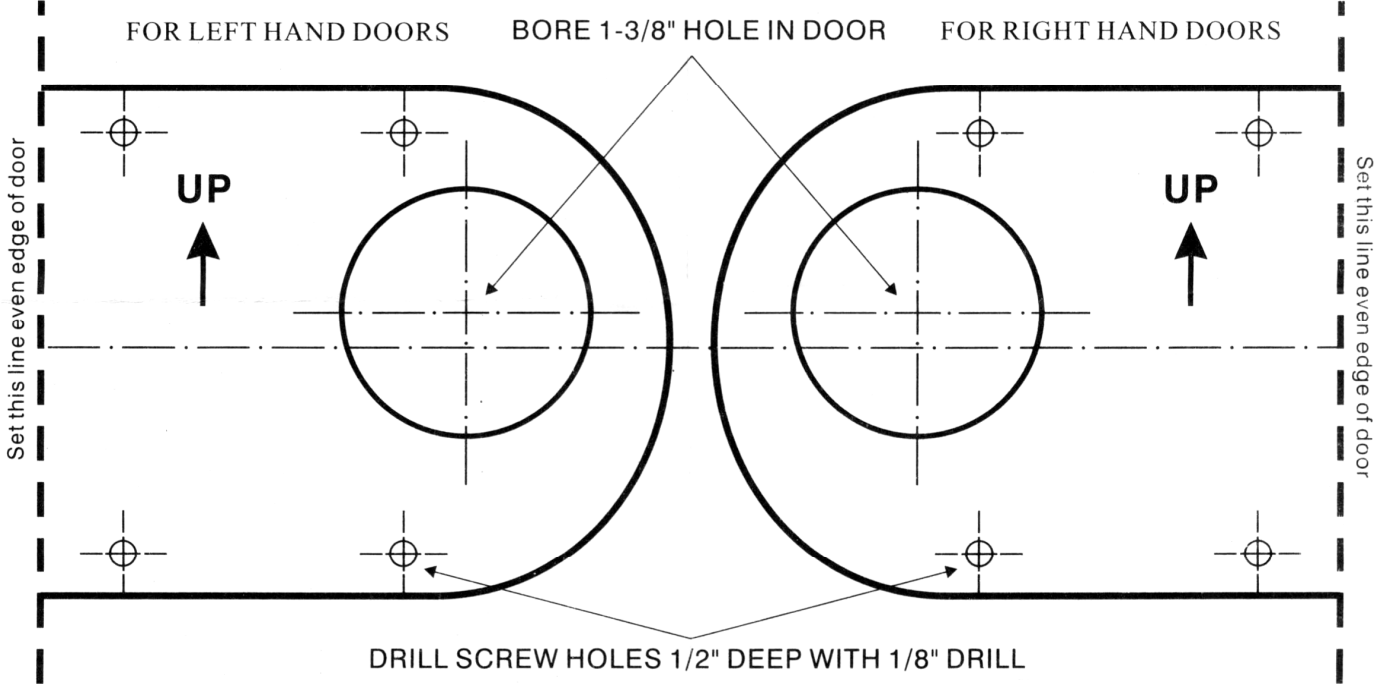


# TEMPLATE



Visit our website for more information  
MUL-T-LOCK-ONLINE.COM  
The most trusted source of MUL-T-LOCK products in USA